

Flush mounting type

Sales Points

1. 8.7 mm character height (7 mm up to now)

Character height has been increased to a much more readable 8.7 mm from 7 mm.

2. Lot's of digits

7 digits

3. Batteries are replaceable-easy on the environment

Using the battery lid, batteries can be replaced easily.

4. Designed for safety, the screw terminals will not hurt your fingers

5. Replaceable panel cover (standard color: gray)

The panel cover can be replaced (standard color is light gray). You can change the panel surface design by replacing it with a black cover.

6. Conforms with IP66 environment durability (surface panel)

7. Input method

There are three input methods:

1. Non-voltage input method
2. Voltage input method
3. Free voltage input method

8. Series for backlight type and it's switchable between green and red

See the display even in dark places and it's even switchable between two colors, green and red. (Voltage type)

9. PC board mounting type also available

Model Configuration

Model Configuration

	Standard type			With back light type
	Non-voltage input method	Non-voltage input method (4.5 to 30 V DC)	Free voltage input method (24 to 240 AC/DC)	Non-voltage input method (4.5 to 30 V DC)
Flush mounting type	Available	Available	Available	Available
PC board mounting type	Available	—	—	—

Product type

● Standard type

Digit	Mounting	Counting range	Reset button on front	Input method	Part No.		
7	Flush mounting	0~99999.9h/ 0~3999d23.9h (switchable)	Available	Non- voltage input	LH2H-F-DHK		
		0~999h59m59s/ 0~9999d59.9m (switchable)			LH2H-F-HMK		
		0~999999.9h/ 0~3999d23.9h (switchable)			LH2H-F-DHK-DL		
		0~999h59m59s/ 0~9999h59.9m (switchable)			LH2H-F-HMK-DL		
		0~999999.9h/ 0~3999d23.9h (switchable)		Free voltage input (24 to 240 V AC/DC)	LH2H-F-DHK-FV		
		0~999h59m59s/ 0~9999h59.9m (switchable)			LH2H-F-HMK-FV		
		PC board mounting		0~999999.9h	None	Non- voltage input	LH2H-C-H-N
				0~9999h59.9m			LH2H-C-HM-N

● With backlight type

Digit	Mounting	Counting speed	Reset button on front	Input method	Part No.
7	Flush mounting	0~999999.9h/ 0~3999d23.9m (switchable)	Available	Voltage input (4.5 to 30 V DC)	LH2H-F-DHK-DL-B
		0~999h59m59s/ 0~9999h59.9m (switchable)			LH2H-F-HMK-DL-B

Specifications

Item	type	Standard type		With backlight type	Standard type
		Non-voltage input	Voltage input	Free voltage input	Free voltage input
No. of digit		8			
Power supply		Built-in battery			
Max. counting speed		2 kHz/30 Hz (switchable)			30 Hz Notes) 1
Display method		7-segment LCD	7-segment LCD	7-segment LCD With backlight switchable (Green, red)	7-segment LCD
Backlight power supply		—		DC 24 V (±10%)	—
Protective construction		IP66 (front panel with a rubber gasket)			
Battery life		7 years (at 25°C 68°F) Notes) 2		6 years (at 25°C 68°F)	

Note: 1. 25 Hz when using 24 V AC.

2. Life calculated based on continuous operation (count input signal ON : OFF = 1 : 1). This value is not guaranteed.

● PC board mounting type

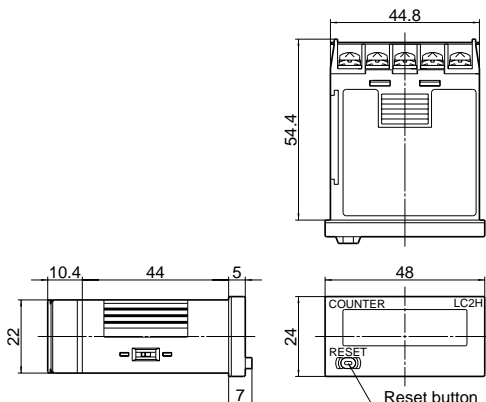
Item	type	PC board mounting
Input method		Non-voltage input
No. of digit		8
Rated operating voltage		3 V DC
Allowable operating voltage range		2.7 to 3.3 V DC
Current consumption		30 μA Max (Reset input: Max. 250 μA)
Max. counting speed		2 kHz 30 Hz

● Common specifications

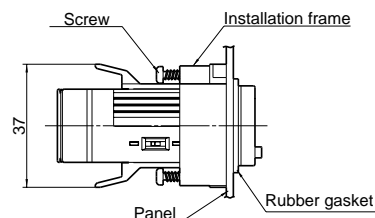
Item	type	Flush mounting type	PC board mounting type
		Vibration resistance	Functional: 10 to 55 Hz: 1 cycle/min single amplitude of 0.15 mm (10 min on 3 axes) Destructive: 10 to 55 Hz: 1 cycle/min single amplitude of 0.375 mm (1 h on 3 axes)
Shock resistance	Functional	Min. 98m/s ² {10G} (4 times on 3 axes)	
	Destructive	294m/s ² {30G} (5 times on 3 axes)	
Ambient temperature		-10 to 55°C +14 to 131°F (Not freezing and condensing at low temperature)	
Storage temperature		-25 to 65°C -13 to 149°F (Not freezing and condensing at low temperature)	
Ambient humidity		35 to 85%RH	

Dimensions

Flush mounting type



Installation



PC board mounting type

